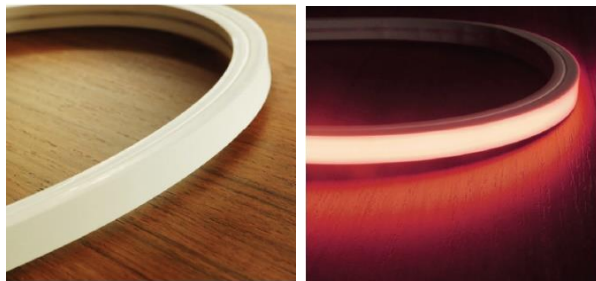


Description

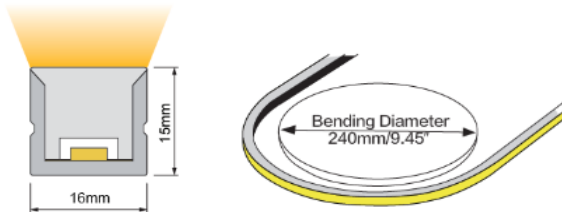
LED Flat Flex Neon



TECHNICAL INFORMATION

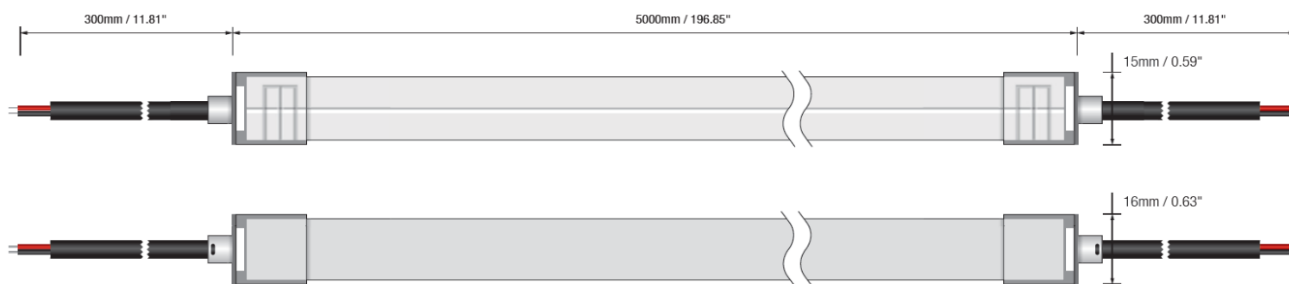
Voltage	DC24V (23.5Vmin, 24.5Vmax)
Rated Power	5W/m
CCT	RGBW (4000K)
Lumen output	168Lm/m
LED Pin Temperature	Max. 59.4°C/138.92°F
Storage Temperature	-24°C/-13°F _{min} , 60°C/140°F _{max}
Ambient Temperature	Ta _{min} =-25°C/-14°F; Ta _{max} =35°C/95°F@5W
Temperature	Ta _{min} =-55°C/-131°F@3.75W (Single color)

IP67



DIMENSION

Width	16mm
Height	15mm
Ending Diameter	240mm



ONE BIN ONLY	UV PROTECTED
WATERPROOF IP67	L80 30000H
30 MTS/REEL AVAILABLE	RESISTANT TO CHEMICAL

FEATURES & NOTES

LED Line 1615 RGBW DC24V. Cross section size 16mm x 15mm, vertical bending with radius of 120mm, IP67 protected, UV resistant, chemical resistant and DIY connectors for indoor and outdoor solutions. Very easy to cut & reconnect on site. One BIN only and dot free lighting guarantee the most excellent performance over the rated lifetime.

Max. run length refers to single side feed in serial connection. The given data are typical values due to the tolerance of the production process and the electrical components, values for light output and electrical power can vary up to 10%.

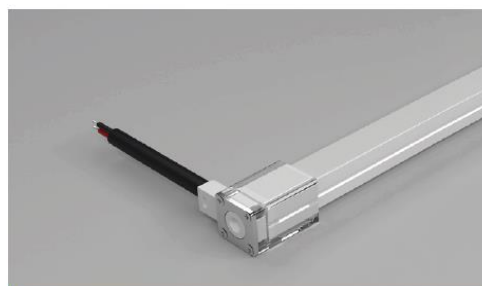
The given color temperature is the temperature of finished product.

Max production length 30meters per reel, standard packaging is 10meters per reel. Standard cable length is 30cm, more than 30cm upon request. Patented easy endcap achieves mechanical IP67 waterproof without any glue. It is not IK rated, don't walk on it without protection

VARIOUS CONNECTION



Front Cable Entry
The cable could be hidden in all directions by the flexible design.
DIY connector

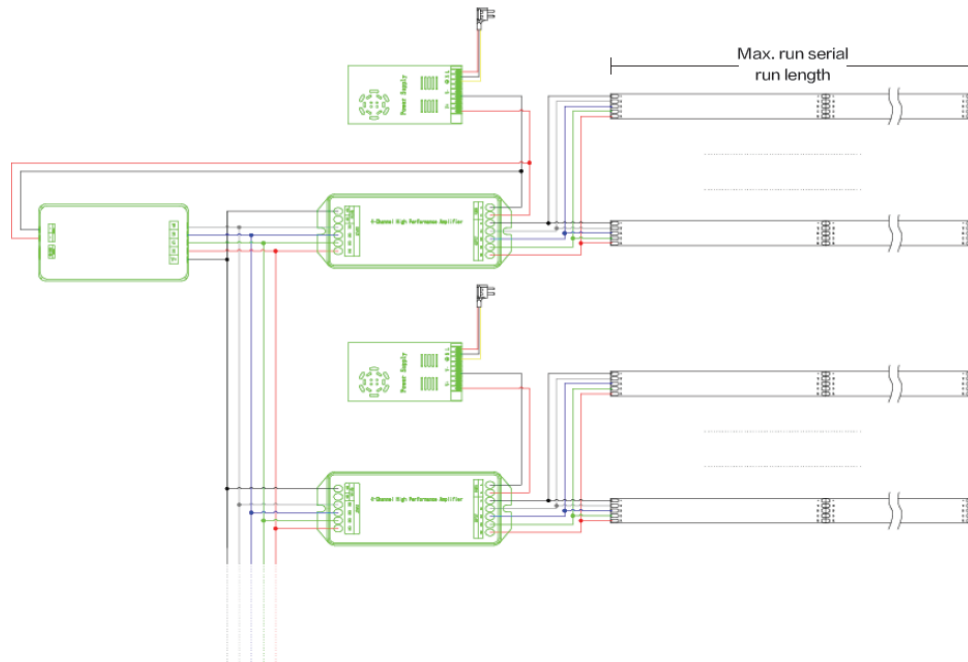


Side Cable Entry
The cable could be perfectly hidden to achieve seamless light connection.
DIY connector



Bottom Cable Entry
The cable could be perfectly hidden to achieve seamless light connection.
DIY connector

WIRING DIAGRAM



-Maximum single run length depends on the wattage of power supply and LED Strip:

5W/M – 5M Max. Single Run Length; The strip is 10m/reel at standard.

ACCESSORIES



Aluminium Profile
Order Code: AC013-AP
Dimension: 1000x20.5x17.6mm/39.37"x0.81"x0.69"(LxWxH)
Material: aluminium
Color: silver



End Cap 5PIN
Order Code: AD005-5-F
Dimension: 27.9x20.4x19.4mm/1.10"x0.80"x0.76"(LxWxH)
Color: transparent
Cable Entry: front



Mounting Clips
Order Code: AC014-SET
Dimension: 20x16.6x12.4mm/0.79"x0.65"x0.49"(LxWxH)
Material: stainless steel
Color: silver
Each meter led strips needs 2 clips + 2 screws



End Cap 5PIN
Order Code: AD005-5-S
Dimension: 27.9x20.4x19.4mm/1.10"x0.80"x0.76"(LxWxH)
Color: transparent
Cable Entry: side



IP67 Connector 5PIN
Order Code: AD007-5
Wire Gauge: 0.519mm²/20AWG
Protection: IP67 (Mated)
Mechanical Operation: >500 mating cycles



End Cap 5PIN
Order Code: AD005-5-B
Dimension: 27.9x20.4x19.4mm/1.10"x0.80"x0.76"(LxWxH)
Color: transparent
Cable Entry: bottom



LEDLINE Scissor
Order Code: AF001-1



Closed End Cap
Order Code: AD006
Dimension: 27.9x20.4x19.4mm/1.10"x0.80"x0.76"(LxWxH)
Material: stainless steel
Color: silver



APPLICATIONS

- ▶ Suitable for bar, ceiling and wall lighting application.
- ▶ Ideal for color dynamic application with excellent color rendition and high power levels.

ADDITIONAL INFORMATION

- ▶ Please light it up for a quick check before installation.
- ▶ Bending diameter of LEDLINE 1615 RGBW is 240mm, do not bend to side direction, or bend too sharp or twist. If bend it wrongly, PCB inside will be damaged and the lighting fixture will not turn on.
- ▶ During installation, please make sure there are at least two workers to cooperate together and strictly follow the instruction manuals.

